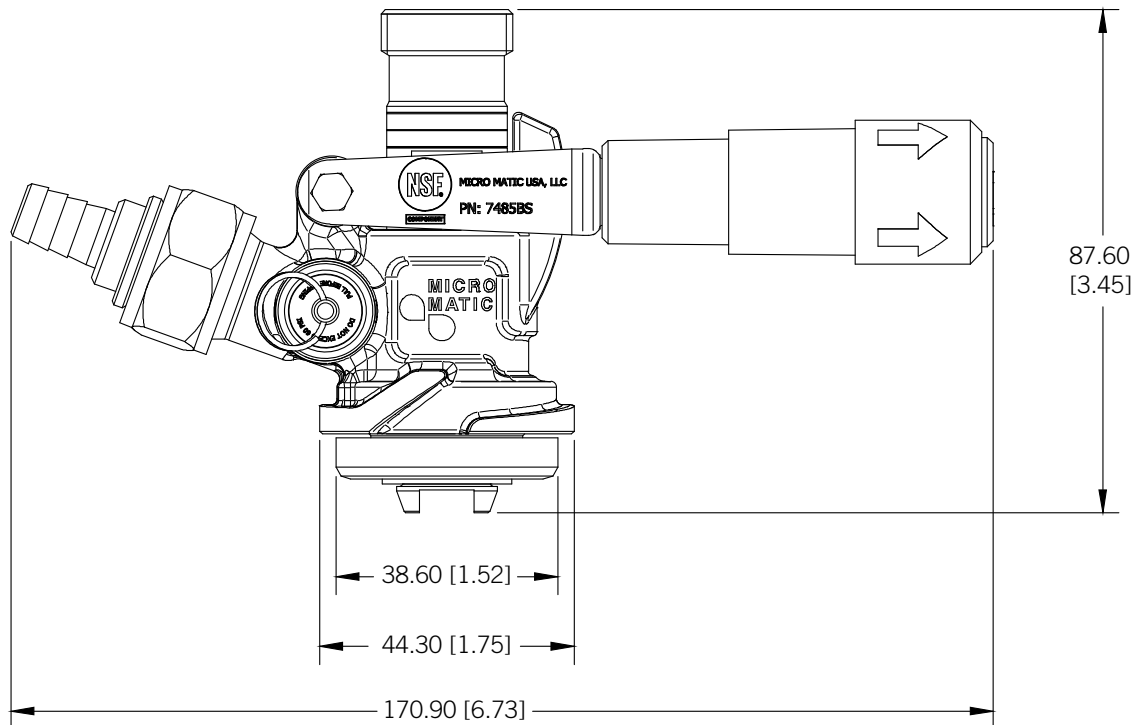


- Best-engineered fit of any coupler currently available
- Stainless steel handle fork for added strength
- Choice of stainless steel or chrome-plated forged brass probe
- Short handle is ideal for smaller diameter kegs

**7485BS****7485SS****7485BB****7485BB-B****7485BB-G****7485BB-R**

Part No.	Description	Shipping Weight
□ 7485SS	304 Stainless steel body, probe and handle. Gray handle.	1 kg
		3 lbs
□ 7485BS	304 stainless steel probe, chrome-plated forged brass body and handle, stainless steel handle fork. Black handle.	1 kg
		3 lbs
□ 7485BB	Chrome-plated forged brass body, probe, and stainless steel handle fork. Black handle.	1 kg
		3 lbs
□ 7485BB-B	Chrome-plated forged brass body, probe, and stainless steel handle fork. Blue handle	1 kg
		3 lbs
□ 7485BB-G	Chrome-plated forged brass body, probe, and stainless steel handle fork. Gold handle.	1 kg
		3 lbs
□ 7485BB-R	Chrome-plated forged brass body, probe, and stainless steel handle fork. Red handle.	1 kg
		3 lbs

Dimensions



Toll-Free: 1-866-327-4159
www.micromatic.com

West

19791 Bahama St.
 Northridge, CA 91324
 Tel. (818) 701-9765
 Fax. (818) 701-9844

Central

10726 North Second St.
 Machesney Park, IL 61115
 Tel. (815) 968-7557
 Fax. (815) 968-0363

Southeast

15111 Dispense Ln.
 Brooksville, FL 34604
 Tel. (352) 799-6331
 Fax. (352) 796-2429

Northeast

4601 Saucon Creek Rd.
 Center Valley, PA 18034
 Tel. (610) 625-4464
 Fax. (610) 625-4466